

Top Loading Arms



Woodfield Top Loading Arms (TLA) are used for loading road tankers or railcars through a connection at the highest point of the tank compartment. Through its operating range it can handle different positions and heights of the tankers or railcars.

In order to deal with different fluids and situations, each TLA is specifically designed to meet the individual demands like open & closed

(Flanged / Cone) loading. Available in material like carbon steel, stainless steel, aluminium and PTFE lined steel/ stainless steel.

Available sizes: 2" to 6"

Available with standard and special accessories like loading valve, overspill device, control unit, vapour recovery system, etc.

Available models

Fixed reach

Suitable for loading and unloading single compartment tankers and railcars through open domes where the cars can be accurately spotted.



Variable reach

Suitable for application where manholes of tankers or railcars cannot be accurately spotted. It has the ability to reach more than one compartment.



Long reach

Suitable for application where manhole of the tanker is away from the riser connection.



Supported

Economy Model with Hose



TLA with vapour recovery



Unsupported



Woodfield Systems (India) Pvt. Limited

Head Office: 74, 1st Floor, Raja Industrial Estate P. K. Rd. Mulund (W), Mumbai - 400 080, India

Tel.: +91 22 2569 4054 Fax. : +91 22 2568 0072 E-mail.: sales@woodfieldsystemsindia.com

www.woodfieldsystemsindia.com

Bottom Loading / Unloading Arm



Bottom Loading / Unloading Arm (BLA / BUA) are used for loading / unloading road tankers or railcars through a connection at the lowest point of the tank compartment. Through its operating range, it can handle the different connection positions and heights of the tankers or railcars.

In order to deal with the different fluids and situations each "BLA / BUA" are specifically

designed to meet the individual demands and therefore available in material like carbon steel, stainless steel, aluminium and PTFE lined steel / stainless steel.

Available sizes: 2" to 6"

Available with standard and special accessories like dry-break coupling, emergency release system, control unit, API Coupler etc.

Available models

Fixed reach

Suitable for loading and unloading tankers and railcars that can be accurately spotted.



Economy Model with Hose



Long reach

Suitable for high pressure filling application.



Supported



Unsupported



Woodfield Systems (India) Pvt. Limited

Head Office: 74, 1st Floor, Raja Industrial Estate P. K. Rd. Mulund (W), Mumbai - 400 080, India

Tel.: +91 22 2569 4054 Fax. : +91 22 2568 0072 E-mail.: sales@woodfieldsystemsindia.com

www.woodfieldsystemsindia.com

Chemical Loading / Unloading Arm



Woodfield Chemical Loading / Unloading Arm (CLA/ CUA) are used for loading / unloading road tankers or rail cars of chemicals & acids by using specific materials determined on a case-by-case basis, depending on the product being handled i.e. alcohol, sulphuric acid, corrosive chemicals & acids.

Available sizes: 2" to 6"

Available with standard and special accessories like overspill device & no spillage coupling for safety.

Available with top loading or bottom loading option with or without vapour recovery system as per customer's requirement.

Available models

Fixed reach (Top / Bottom)

Suitable for loading and unloading tankers or railcars that can be accurately spotted.

Variable/Long reach (Top / Bottom)

Suitable for loading and unloading tankers or railcars that cannot be accurately spotted. It has the ability to cover more operating area.

Top Loading Arm



Bottom Loading Arm



Woodfield Systems (India) Pvt. Limited

Head Office: 74, 1st Floor, Raja Industrial Estate P. K. Rd. Mulund (W), Mumbai - 400 080, India

Tel.: +91 22 2569 4054 Fax. : +91 22 2568 0072 E-mail.: sales@woodfieldsystemsindia.com

www.woodfieldsystemsindia.com

Jacketed Loading Arms



Woodfield Jacketed Loading Arms (JLA) are used for loading road tankers or railcars of products such as molten sulphur, waxes, resins, bitumen etc which has high viscosity, high temperature, and / or crystallization / solidification properties.

“JLA” are available with electric, steam or oil heating and insulation which maintains the product at required temperature uniformly.

Available sizes: 2” to 6”

Available in material like carbon steel, stainless steel, aluminium or as per customer’s requirement.

Available with standard and special accessories like overspill device, loading valve, control unit, etc.

Available with top loading or bottom loading option with or without vapour recovery system as per customer’s requirement.

Woodfield long reach loading arms can be provided with pneumatic control system. This system enables to move the loading arms vertically for ease of operation and correct sealing. These movements can be controlled remotely.

Woodfield can also provide special automated loading arms where in all the movements (horizontal & vertical) can be controlled remotely. This function is realized using special electro-mechanical systems.

Available models

Jacketed Top Loading Arm



Jacketed Bottom Loading Arm



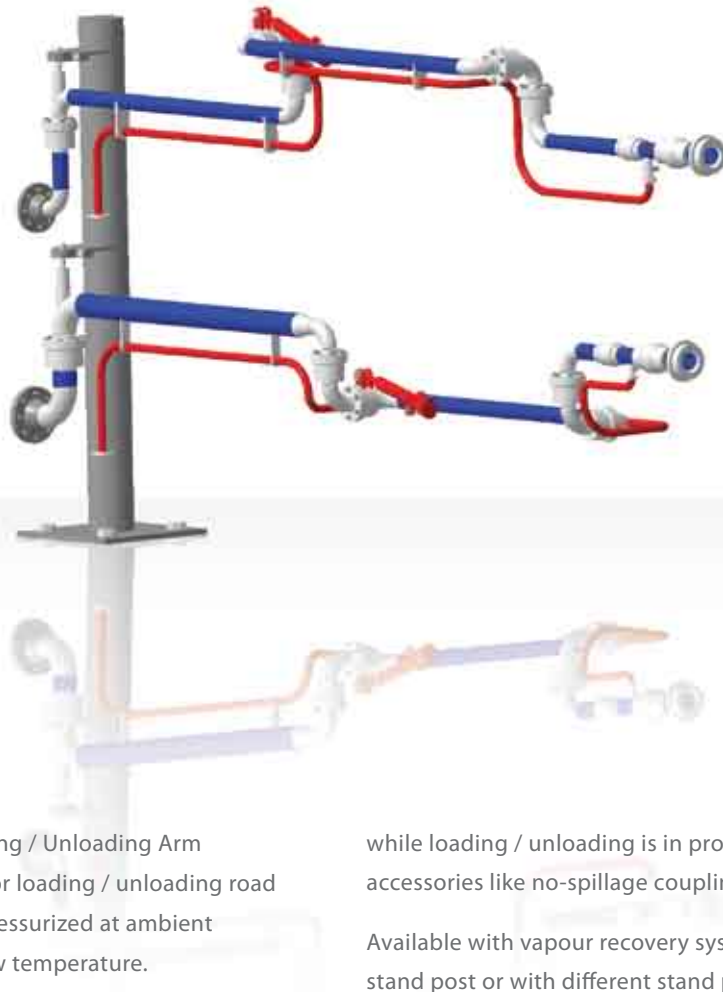
Woodfield Systems (India) Pvt. Limited

Head Office: 74, 1st Floor, Raja Industrial Estate P. K. Rd. Mulund (W), Mumbai - 400 080, India

Tel.: +91 22 2569 4054 Fax. : +91 22 2568 0072 E-mail.: sales@woodfieldsystemsindia.com

www.woodfieldsystemsindia.com

LPG Loading / Unloading Arm



Woodfield LPG Loading / Unloading Arm (LLA/LUA) are used for loading / unloading road tankers or rail cars pressurized at ambient temperature or at low temperature.

Available sizes: 2" to 6"

Available with standard accessories like emergency break-away coupling for safety when tank or truck moves from its parked position

while loading / unloading is in process & special accessories like no-spillage coupling, check valve etc.

Available with vapour recovery system on same stand post or with different stand post as per customer's requirement.

Available with automatic shut-off system & gas leak detection system for increased safety.

Available in carbon steel & stainless steel material.

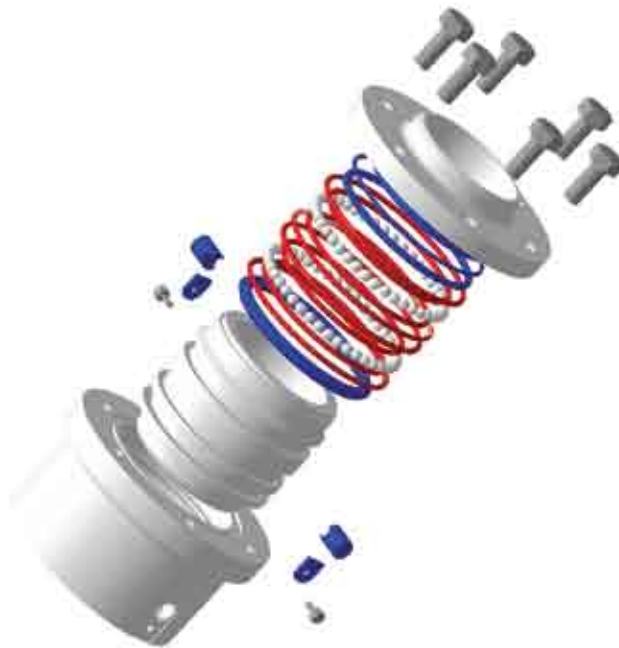


Woodfield Systems (India) Pvt. Limited

Head Office: 74, 1st Floor, Raja Industrial Estate P. K. Rd. Mulund (W), Mumbai - 400 080, India
Tel.: +91 22 2569 4054 Fax. : +91 22 2568 0072 E-mail.: sales@woodfieldsystemsindia.com

www.woodfieldsystemsindia.com

Swivel Joint



Swivel joint having 360° rotation with positive sealing are used in loading arms, hose reels and floating suction & drain roofs.

Features of Woodfield swivel joints are

- Full 360° rotational movement for maximum operational movement.
- Double ball race construction.
- Available in various material to serve individual demands.
- Wide spacing between ball bearing raceways for greater load bearing capacity.
- The precise design and machining for alignment and years of maintenance-free service.
- Three piece design - to allow the main seal to be easily replaced without removing and dismantling the swivel joint assembly.
- Leak detection port (weep hole) helps to determine seal wear and tear.

Style & Cross-Section of Swivel-Joint



Style 10



Style 20



Style 30



Style 40



Style 50



Style 60

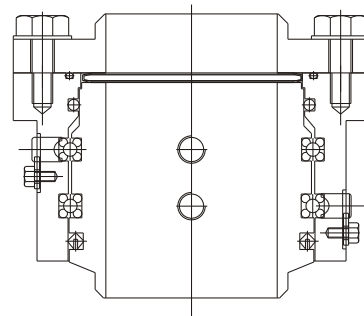


Style 70



Style 80

Cross-Section of Swivel-Joint



Woodfield Systems (India) Pvt. Limited

Head Office: 74, 1st Floor, Raja Industrial Estate P. K. Rd. Mulund (W), Mumbai - 400 080, India

Tel.: +91 22 2569 4054 Fax.: +91 22 2568 0072 E-mail.: sales@woodfieldsystemsindia.com

www.woodfieldsystemsindia.com

Accessories for loading arms

Loading valve

Deadman type loading valve ensures the loading and unloading of product only in case of operator's personal attention, hence providing safety against any mishandling of product. Provision of remote control allows operator to engage and disengage the valve from distance. Standard material of construction is aluminium.



Suitable For
Top Loading Arms

API Coupler

Used for loading/unloading tankers. It is easy to operate and inexpensive to maintain. They are built in accordance with API RP – 1004 requirements.



Suitable For
Bottom Loading Arms

Vacuum Breaker

Woodfield Vacuum Breaker provides a simple, dependable way to relieve unwanted vacuum which may develop in pipeline. Available in different sizes and wide variety of material like aluminium, brass, bronze, stainless steel with PTFE or Fluorocarbon seal to suit the product compatibility.



Suitable For
Top / Bottom Loading Arms

Dry Disconnect Coupling

Dry Disconnect Couplings prevent spillage from both routine and accidental disconnects. These couplings can be used for various types of hazardous liquid & gas transfer applications where product loss could occur. This coupling is the most reliable solution to prevent spillage during connection or disconnection. (Suitable for Bottom & LPG Loading Arms)

Emergency Release System

Used to provide the extra safety for loading/unloading materials like LPG, LNG, solvents, petrochemicals, gases and toxic liquids. This breakaway coupling provides 100% instant

shut-off, reducing the danger to operator and the surrounding, eliminating spillage and damage to equipment, satisfying a wide variety of applications.



Suitable For LPG Loading Arms

Other Accessories

Valves, Deflector, Strainer

A full range of valves including butterfly valve, ball valve, check valve, drain valve, vent valve, can be mounted as desired, available in different material and sizes. Deflector, T type and conical, can be used to avoid forceful impingement of product and static build up during filling. Strainer ensures against entry of unwanted foreign particles.
(Suitable for Top & Bottom Loading Arms)

Sensors and Level Indication for Overflow/Spillage.

Overflow and spillage during transfer of material can be effectively avoided by specially designed sensing system from Woodfield. These custom made systems provide a foolproof arrangement against overflow. System incorporates variety of sensors such as optical, electromagnetic, electro pneumatic or mechanical, compatible to product.



Suitable For Top Loading Arms

- Arm Locking Device

To hold the arm in parking position and pre-determined loading position, Woodfield offers a compact mechanical device for locking.

- Drip Bucket Clamp - on type

It is used to collect the product spillage after loading / unloading. Standard material of construction is aluminium. Can be available in other material on request.

- Drop Pipe Fittings

Coupler and Adapter with either threaded or welded end connection. Available in various sizes and materials as per customer's need.

- Explosion proof Limit Switch

Used to monitor the arm movement in vertical and horizontal direction. Available with two setting, upper and lower with adjustable span.

- Slight Glass Indicator

It is used for visual indication of product contained in the arm.

- Earth Detection System

Used to detect proper earthing for loading arm as well as tank truck to avoid any accident due to static electricity



Woodfield Systems (India) Pvt. Limited

Head Office: 74, 1st Floor, Raja Industrial Estate P. K. Rd. Mulund (W), Mumbai - 400 080, India
Tel.: +91 22 2569 4054 Fax. : +91 22 2568 0072 E-mail.: sales@woodfieldsystemsindia.com

www.woodfieldsystemsindia.com